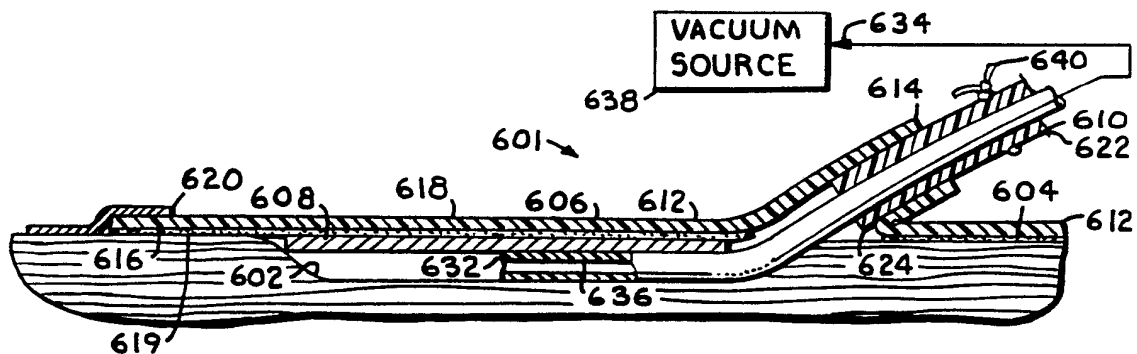




INTERNATIONAL APPLICATION PUBLISHED UNDER THE PATENT COOPERATION TREATY (PCT)

(51) International Patent Classification ⁵ : A61F	A2	(11) International Publication Number: WO 92/20299 (43) International Publication Date: 26 November 1992 (26.11.92)
(21) International Application Number: PCT/US92/04019 (22) International Filing Date: 14 May 1992 (14.05.92) (30) Priority data: 699,936 14 May 1991 (14.05.91) US (60) Parent Application or Grant (63) Related by Continuation US 699,936 (CIP) Filed on 14 May 1991 (14.05.91) (71)(72) Applicant and Inventor: ZAMIEROWSKI, David, S. [US/US]; 8500 Reinhart, Leawood, KS 66206 (US).		(74) Agent: BROWN, Mark, E.; Litman, McMahon & Brown, 1200 Main St., Suite 1600, Kansas City, MO 64105 (US). (81) Designated States: AT (European patent), AU, BB, BE (European patent), BF (OAPI patent), BG, BJ (OAPI patent), BR, CA, CF (OAPI patent), CG (OAPI patent), CH (European patent), CI (OAPI patent), CM (OAPI patent), CS, DE (European patent), DK (European pat- ent), ES (European patent), FI, FR (European patent), GA (OAPI patent), GB (European patent), GN (OAPI patent), GR (European patent), HU, IT (European pat- ent), JP, KP, KR, LK, LU (European patent), MC (Eu- ropean patent), MG, ML (OAPI patent), MN, MR (OA- PI patent), MW, NL (European patent), NO, PL, RO, RU, SD, SE (European patent), SN (OAPI patent), TD (OAPI patent), TG (OAPI patent), US. Published <i>Without international search report and to be republished upon receipt of that report.</i>

(54) Title: FASTENING SYSTEM AND METHOD**(57) Abstract**

A fastening system includes a membrane assembly which can comprise a pair of body panels secured together at a seam. The membrane panels can comprise a semi-permeable material. A sheath assembly has a tubular configuration with proximate and distal ends and a sheath passage extending therebetween. The sheath assembly can be fastened to the membrane assembly by adhesively securing the sheath assembly adjacent to its proximate end between the membrane panels at the membrane assembly seam. A sheath-to-tube fastener is provided for fastening the sheath assembly to a tube. A fastening method includes the steps of fastening two panels of a membrane assembly together at a seam, fastening a sheath assembly to the membrane assembly between the panels at the seam, and fastening a tube to the sheath. In one embodiment of the present invention a surgical sponge is fastened to the membranes in fluidic connection with the sheath, which is fastened to a suction tube for drawing blood from a surgical site.

FOR THE PURPOSES OF INFORMATION ONLY

Codes used to identify States party to the PCT on the front pages of pamphlets publishing international applications under the PCT.

AT	Austria	FI	Finland	ML	Mali
AU	Australia	FR	France	MN	Mongolia
BB	Barbados	GA	Gabon	MR	Mauritania
BE	Belgium	GB	United Kingdom	MW	Malawi
BF	Burkina Faso	GN	Guinea	NL	Netherlands
BG	Bulgaria	GR	Greece	NO	Norway
BJ	Benin	HU	Hungary	PL	Poland
BR	Brazil	IE	Ireland	RO	Romania
CA	Canada	IT	Italy	RU	Russian Federation
CF	Central African Republic	JP	Japan	SD	Sudan
CG	Congo	KP	Democratic People's Republic of Korea	SE	Sweden
CH	Switzerland	KR	Republic of Korea	SN	Senegal
CI	Côte d'Ivoire	LI	Liechtenstein	SU	Soviet Union
CM	Cameroon	LK	Sri Lanka	TD	Chad
CS	Czechoslovakia	LU	Luxembourg	TG	Togo
DE	Germany	MC	Monaco	US	United States of America
DK	Denmark	MG	Madagascar		
ES	Spain				

FASTENING SYSTEM AND METHOD**Background of the Invention****1. Field of the Invention**

5 The present invention relates generally to fastening systems, and in particular to a system and method for fastening tubes to patients.

2. Description of the Related Art

10 Various fastening systems and methods have heretofore been devised for meeting the requirements of particular applications. For example, in the medical field, a variety of fastening systems are employed in connection with various medical procedures. Previous medical fastening systems
15 include sutures, clamps, belts, ties, adhesive tape and other tapes. Common medical fastening procedures include fastening tubes to patients.

 Medical patients are intubated in connection with a number of common medical procedures. For example, nasogastric
20 tubes are inserted into the patient's stomach via a nostril for aspirating the stomach contents. Tubes are commonly inserted through stomal openings, e.g., in connection with ileostomies, gastrostomies, etc.

 Intravenous (IV) tubing, catheters, fiber optic cables
25 and electrical wire leads from electrodes all present problems associated with fastening tubes, cables and leads to patients. Frequently, a tube-to-patient connection with some structural integrity is desired, i.e., to reduce the risk of injury from the tube being torn loose from the patient. Since
30 considerable tensile force can be exerted on such tubing

(e.g., by an intubated patient rolling over in bed), previous solutions such as secure taping with strong adhesive tape have been utilized with some success. However, there are disadvantages associated with the prolonged application of adhesive tape. Since many types of adhesive tape used for medical applications are relatively impervious, skin covered thereby is susceptible to maceration and the formation of milia consisting of inflamed hair follicles and glands.

5
10
15
20
25
Tubes and other flexible lines can also be sutured to patients, but there are disadvantages associated with this technique. For example, the sutures can be uncomfortable to the patient, and can cause infection, inflammation and scarring.

Improved patient comfort can be achieved by applying semi-permeable membranes, which tend to be permeable to vapors, to wound sites. Such membranes are available from several companies, including: "Polyskin" from Kendall Health Care Products Company; "Opsite" from Smith & Nephew, Inc.; "Bioclusive" from Johnson & Johnson Products, Inc.; and "Tegaderm" from 3M Health Care. Such membranes commonly have adhesive faces for adhesion to patient's skin, but are normally relatively thin with little structural integrity. Thus, for all of their patient comfort advantages, the semi-permeable membranes are often not a satisfactory substitute for adhesive tape.

Tapes are also available which have permeable characteristics, but many of them lack sufficient structural integrity for practical use as the sole and exclusive fastening system for tubes and other flexible lines.

However, the semi-permeable membrane materials referred to above can be combined with other, stronger materials, such as flexible plastic tubing, to provide wound dressings with considerable advantages over previous, conventional gauze-and-tape dressings. The Zamierowski U.S. Patent No. 4,969,880 discloses such a wound dressing which effectively exploits the combined advantages of semi-permeable membranes and flexible plastic tubing.

The applicability of such a combination to a variety of fastening applications is addressed by the present invention.

Another problem commonly encountered in medical surgical procedures relates to the evacuation of blood from the operating site. Devices have been provided for capturing the blood and other fluids, e.g., eye drains available from Merocel Corporation which are fastened to patient's cheeks during ophthalmologic procedures. Sponges and gauze are often used for evacuating blood and other fluids from operating sites. Suction tubes are also utilized, e.g., with cannulae, and can be provided with small sponge attachments on their ends for gathering fluid, e.g. Tebbett's suction pads available from Dow Corning. The present invention can be utilized as a device for fastening and fluidically communicating surgical sponges with suction for the collection of blood and other fluids during surgery, which can reduce the need for handling and weighing blood-saturated sponges in the operating room, which is frequently required at present to determine a volume of blood replacement required for a patient during surgery.

In the practice of the present invention, a fastening system and method are provided for fastening a variety of tubes to patients for performing various medical procedures thereon. The fastening system can comprise a membrane assembly consisting of a pair of membrane body panels adhesively joined at a seam extending transversely across the membrane assembly. The membrane assembly can comprise a semi-permeable material with an adhesive face covered by an adhesive backing prior to use. A sheath assembly includes proximate and distal ends and a sheath passage extending therebetween. The sheath assembly is fastened to the membrane assembly by extending the sheath assembly between the body panels at the membrane assembly seam in proximity to the sheath assembly proximate end, which can be split to form a pair of sheath proximate end tabs. A sheath-to-tube fastener is provided for fastening the sheath to a tube inserted in the patient. The fastening system can also mount the sheath adjacent to an end edge thereof, for example in a fastening system construction particularly designed for fastening a nasogastric tube to a patient. A surgical suction fastening system is also disclosed wherein a sponge is sandwiched between the panels of the membrane assembly with a portion of the sponge extending beyond a membrane assembly for drawing fluids, e.g., blood from a surgical site. Methods of fastening the present invention in connection with various medical procedures are further disclosed, particularly those involving intubation of a patient, e.g., nasogastric, suction, intravenous, Foley catheter, stomal and percutaneous tubing.

Another method in the practice of the present invention involves sandwiching a surgical sponge between the membrane

assembly panels and fastening the sheath to a suction tube for suction evacuating blood from an operating site.

Objects and Advantages of the Invention

5 The principle objects and advantages of the present invention include: providing a fastening system and method, providing such a fastening system and method which are particularly well-adapted for medical applications; providing such a system and method for fastening tubing to a medical
10 patient; providing such a system and method for fastening a surgical sponge to a suction source in fluidic communication; providing such a system and method which have considerable structural strength; providing such a system and method which are relatively comfortable to patients; providing such a
15 system and method which can reduce or minimize maceration and the formation of milia as compared to adhesive tape systems and methods; providing such a system and method which allow a wide variety of applications with a common device; providing such a device and method which can help control nosocomial and
20 other infections; and providing such a device and method which are efficient in operation, economical to manufacture and practice, and are particularly well designed for the proposed usages thereof.

 Other objects and advantages of this invention will
25 become apparent from the following description taken in conjunction with the accompanying drawings wherein are set forth, by way of illustration and example, certain embodiments of this invention.

The drawings constitute a part of this specification and include exemplary embodiments of the present invention and illustrate various objects and features thereof.

5

Brief Description of the Drawings

Fig. 1 is a perspective view of a fastening system embodying the present invention, shown fastening a nasogastric tube.

10 Fig. 2 is an enlarged, perspective view of the fastening system, shown prior to application to a patient.

Fig. 2a is a plan view of a fastening system for a nasogastric tube comprising a first modified or alternative embodiment of the present invention.

15 Fig. 3 is an enlarged, fragmentary, cross-sectional view of the fastening system, taken generally line 3-3 in Fig. 2.

Fig. 3a is an enlarged, fragmentary, cross-sectional view thereof taken generally along 3a-3a in Fig. 2a.

Fig. 4 is a side elevational view of the fastening system.

20 Fig. 5 is an enlarged cross-sectional view of the fastening system taken generally along line 5-5 in Fig. 4.

Fig. 6 is a side elevational view of the fastening system, showing the nasogastric tube partially within a sheath thereof.

25 Fig. 7 is an enlarged cross-sectional view of the fastening system, taken generally along line 7-7 in Fig. 6.

Fig. 8 is a side elevational view of the fastening system, particularly showing the nasogastric tube enclosed within the sheath and secured by a cinch loop fastener.

Fig. 9 is an enlarged cross-sectional view of the fastening system taken generally along line 9-9 in Fig. 8.

Fig. 10 is a perspective view of a fastening system for a surgical sponge comprising a second modified or alternative
5 embodiment of the present invention.

Fig. 11 is an enlarged, fragmentary, cross-sectional view thereof, taken generally along line 11-11 in Fig. 10.

Fig. 12 is an enlarged cross-sectional view thereof taken generally along line 12-12 in Fig. 10.

10 Fig. 13 is a cross-sectional view of a fastening system comprising a third modified or alternative embodiment of the present invention, shown fastening an intravenous tube to a patient.

Fig. 14 is a plan view of a fastening system comprising
15 a fourth modified or alternative embodiment of the present invention, shown attaching a Foley catheter to a patient.

Fig. 15 is an enlarged, fragmentary, cross-sectional view thereof taken generally along line 15-15 in Fig. 14.

Fig. 16 is a perspective view of a fastening system
20 comprising a fifth modified or alternative embodiment of the present invention, showing a pair of tubes attached to the fastening system for connection to a patient.

Fig. 17 is a fragmentary, perspective view of a fastening system comprising a sixth modified or alternative embodiment
25 of the present invention, with a hook-and-loop fastener for fastening a sheath.

Fig. 18 is a fragmentary, side elevational view of a wound dressing system comprising a seventh modified or alternative embodiment of the present invention.

Fig. 18a is fragmentary, side elevational view thereof, particularly showing a suction tube proximate end prior to insertion into a sheath.

Fig. 18b is a fragmentary, side elevational view thereof,
5 particularly showing the suction tube proximate end inserted into the sheath.

Fig. 19 is a top perspective view of a suction sponge system comprising an eighth modified or alternative embodiment of the present invention.

10 Fig. 20 is a perspective view of an extremity fluidic connection system comprising a ninth modified or alternative embodiment of the present invention.

Fig. 21 is an enlarged, fragmentary, cross-sectional view thereof, taken generally along line 21-21 in Fig. 20.

15 Fig. 22 is an enlarged, fragmentary, cross-sectional view thereof, taken generally along line 22-22 in Fig. 20.

Fig. 23 is an enlarged, fragmentary, cross-sectional view thereof, taken generally along line 23-23 in Fig. 20.

20 Fig. 24 is a perspective view of an intravenous tube system including a cinch loop fastener comprising a tenth modified or alternative embodiment of the present invention.

Fig. 25 is a top plan view of the cinch loop fastener in an open position thereof.

Fig. 26 is a bottom plan view of the cinch loop fastener.

25 Fig. 27 is a perspective view of the cinch loop fastener showing a preliminary stage of fastening to an IV tube.

Fig. 28 is a perspective view of the cinch loop fastener, showing an intermediate stage of fastening to the IV tube.

30 Fig. 29 is a side elevational view of the cinch loop fastener, shown fastened to the IV tube.

Fig. 30 is a perspective view of the cinch loop fastener, shown fastened to the IV tube.

Detailed Description of the Preferred Embodiments

5 I. Introduction and Environment

As required, detailed embodiments of the present invention are disclosed herein; however, it is to be understood that the disclosed embodiments are merely exemplary of the invention, which may be embodied in various forms. Therefore, specific structural and functional details disclosed herein are not to be interpreted as limiting, but merely as a basis for the claims and as a representative basis for teaching one skilled in the art to variously employ the present invention in virtually any appropriately detailed structure.

Certain terminology will be used in the following description for convenience in reference only and will not be limiting. For example, the words "upwardly", "downwardly", "rightwardly" and "leftwardly" will refer to directions in the drawings to which reference is made. The words "inwardly" and "outwardly" will refer to directions toward and away from, respectively, the geometric center of the embodiment being described and designated parts thereof. Said terminology will include the words specifically mentioned, derivatives thereof and words of a similar import.

II. Nasogastric Tube Fastening System 2

Referring to the drawing in more detail, the reference numeral 2 generally designates a medical fastening system which embodies the present invention. Without limitations on

the generality of useful applications of the medical fastening system 2, it is shown applied to a medical patient's face 4 attaching a nasogastric tube 6, which is inserted through a nostril 8 of the patient for aspirating the stomach contents.

5 The fastening system 2 generally comprises a membrane assembly 10, a sheath assembly 12, and a sheath-to-tube fastener 14.

 The membrane assembly 10 includes a first body panel 16 with first and second end edges 18, 19 and opposite side edges
10 20. A membrane flap or extension 22 extends from the first end edge 18 and includes a first flap panel 24, which can be integral with the body panel 16, and a second flap or body panel 26. The body panel 16 includes an adhesive layer 28 which can be covered by an adhesive backing 30.

15 The body panel 16 and the flap panels 24, 26 can comprise a vapor-permeable, transparent, polyurethane film material of the type which is available from a number of manufacturers, e.g.: "Tegaderm" dressing from the 3M Company; "Bioclusive" dressing from Johnson & Johnson Products, Inc.; "OpSite"
20 dressing from Smith & Nephew Inc.; and "Polyskin" dressing from Kendall Health Care Products, Inc.

 The flap or extension 22 includes a proximate edge 32 connected to the body first end edge, a distal edge 34, opposite side edges 36 and an adhesive seam 27 between
25 adhesive layers 23, 25 on the first and second flap panels 24, 26.

 The sheath assembly 12 includes proximate and distal ends 38, 40 with first and second sheath faces 41, 42 each having an adhesive layer 44 thereon adjacent to a sheath passage 46.
30 An adhesive release strip 48 extends through the sheath

passage 46. One or both of the sheath faces 41, 42 can be provided with a tear line or marking 50 for access to the passage 46.

A method of fastening the nasogastric tube 6 to a patient is disclosed, and includes the steps of peeling away the adhesive backing 30 and adhesively securing the body panel 16 to the nose and/or cheeks of the patient's face 4 (Figs. 1 and 4).

The flap or extension 22 comprises a double layer of the semi-permeable membrane material with adhesive layers 28 thereof attached at the seam 27 whereby the flap or extension 22 will not adhere to the patient. The sheath assembly 12 can overlie the tube 6, as shown in Figs. 1, 4 and 5, and can be temporarily secured thereto with a cinch loop fastener 52 as shown in Fig. 6. The cinch loop fastener 52 can include a hook-and-loop fastener 54 for releasably cinching the sheath assembly 12 to the tube 6. Such a fastener is shown in Fig. 9. However, various other sheath-to-tube fastening means could be employed, including twist ties, rubber bands, clips, etc. By employing a releasable fastener 52, the tube 6 can easily be repositioned with respect to the fastening system 2. The position of the tube 6 can be confirmed by X-ray examination or by other means, and can be adjusted if necessary.

When the tube 6 is properly positioned, it can be resecured to the fastening system 2 by opening the sheath assembly 12 and placing the tube 6 within the sheath passage 46. The sheath assembly 12 can be opened by cutting it longitudinally, or by tearing it along a tear line 50 to provide access to the passage 46. The adhesive release strip

48 can then be removed from the sheath assembly 12 and the tube 6 placed in the passage 46 as shown in Fig. 8. The sheath 12 can then be folded over the tube 6 (Figs. 7 and 9). The tube 6 can be adhesively secured in place by pressing the adhesive layers 44 of the sheath 12 thereagainst. The tube 6 can also be secured within the sheath 12 by the cinch loop fastener 52 (Fig. 9). With the tube 6 thus secured, the tube is relatively securely attached to the patient. Patient comfort is facilitated by the use of the semi-permeable material for the membrane assembly 10, which passes vapors and air for breathability. Thus, as compared to relatively impervious fastening systems (e.g., adhesive tape), greater patient comfort can be achieved and skin problems such as maceration or formulation of milia (gland or hair follicle inflammation accompanied by pustules) can be reduced. Furthermore, the nasal tip and the nostril rim area of the patient can be observed for evidence of inflammation, infection, etc., and can be promptly detected. Furthermore, necrosis of the nostril tip, which often accompanies overly forceful adhesive taping, can be observed and therefore minimized or avoided.

A fastening system 2a comprising a first modified or alternative embodiment of the present invention is shown in Figs. 2a and 3a. The fastening system 2a is particularly adapted for fastening a nasogastric tube 6, but like the fastening system 2, could also fasten an intravenous tube and other types of tubing and flexible lines. The fastening system 2a includes an intermediate membrane strip 4a adhesively attached to a first flap panel 24a. The first flap panel 24a includes an end portion 26a with adhesive backing

layer 28a which can be peeled away for exposing an adhesive layer 30a.

In using the fastening system 2a, a body adhesive backing 32a is peeled away from the membrane 4a to expose the adhesive layer 30a, and the membrane 4a is applied to the patient as described above. The first flap panel 24a is preferably positioned in proximity to the patient's nostrils, and since it does not have any exposed adhesive, the fastening system 2a can be utilized to leave the patient's nostrils clear for breathing. The extension adhesive backing 28a is peeled away to expose the adhesive layer 30a and the membrane end portion 26a can be wrapped around the nasogastric tube 6 for securing same to patient.

15 **III. Suction Fastening System 102**

A surgical suction fastening system 102 comprises a second modified or alternative embodiment of the present invention and is shown in Fig. 9. The surgical suction fastening system 102 generally includes a membrane 104, a sheath assembly 106 and a sponge assembly 108. The membrane and sheath assemblies 104, 106 can comprise, for example, a wound dressing as shown in my U.S. Patent Application Serial No. 504,598 for fluidic connection system and method, which is co-pending herewith and which is incorporated herein by reference, along with my U.S. Patent No. 4,969,880.

The membrane assembly 104 comprises a pair of semi-permeable panels 110 which are adhesively joined at a membrane assembly seam 112 whereat a proximate end 114 of the sheath assembly 106 is secured in position. The sheath proximate end 114 forms a split mouth 116 with first and second mouth tabs

118, 120 each positioned adjacent to a respective membrane assembly panel 110.

The sponge 108 includes a first or open face 122 and a second or occluded face 124, proximate and distal ends 126, 128 and opposite side edges 130. A sponge backing material or layer 132 which can cover the second or occluded face 124 of the sponge 108 and can be relatively impervious. As shown in Fig. 11, the sheath split mouth 116 is adapted to receive a portion of the sponge 108 between the mouth tabs 118, 120 adjacent to the sponge proximate end 126.

In operation, the fastening system 102 can be used singly or in multiples to draw blood from an open dissection plane, particularly for the purpose of maintaining a critical point free of blood. The sheath assembly 106 can be attached, e.g., by twist ties 134, to a suction line 136 in an area between a distal end 138 of the sheath assembly 106 and the membrane assembly seam 112. The suction tube 136 can be attached to a suitable suction source (not shown). The membrane assembly 104 can comprise either impervious (e.g., thin, flexible) or semi-permeable material. Exposure to and immersion in blood and other fluids may cause a semi-permeable material to become less permeable, with a corresponding enhancement of the suction capabilities of the system 102.

The membrane, sheath and sponge assemblies 104, 106, 108 can be manufactured or preassembled in various configurations. Alternatively, the fastening system 102 can be assembled by the health care practitioner by placing a suitable sponge assembly 108 in a premanufactured membrane assembly 104 and sheath assembly 106, which could be similar to my fluidic connection system disclosed in my U.S. Patent Application

Serial No. 504,598 referred to above. Preferably the material comprising the sponge 108 is resistant to shredding and strong enough to not break apart or disintegrate in the wound or operating site. The sponge 108 could be threaded with a radio-opaque thread (e.g., where the membrane assembly panels 110 are joined to the sponge 108 in a middle area thereof) to provide greater structural integrity and also to facilitate detection by X-ray if the sponge were lost in the wound. By providing transparent, or at least translucent, membrane assembly panels 110 and a sheath assembly 106, the movement of blood through the system 102 can be observed. Furthermore, an anti-clotting coating can be provided on the sponge 108 to facilitate efficiency. It is anticipated that most of the blood and fluid would enter the sponge 108 through the exposed area of the first or open face 122 of the sponge 108 through the exposed portions of the sponge side edges 130, and through the sponge distal end 128. However, the sponge 108 could be provided without a backing material or layer 132 for suction through its second face 124.

The sheath assembly 106 preferably is relatively flexible for mobility of the fastening system 102. The sheath assembly 106 can be prevented from collapsing under the suction force by providing it with permanent, crimped edges. Foldable, flat sheathing is available from Aero International, Inc. of Reading, Pennsylvania. Alternatively, the sheath assembly 106 can have longitudinal ridges for providing resistance to collapse. The sheath assembly 106 can have a length of about eighteen inches to twenty-six inches for many uses, but its length is practically unlimited. Various connector devices can be used for attachment to the sheath assembly 106, such

as a male adapter, which is sometime referred to as a "Christmas tree" for insertions in standard suction tubing, or a "suction block" for allowing multiple fastening systems 102 to be connected to a common suction source. Rubber bands, O-rings, tape and other fastening systems can be used for the sheath-to-tube fastening means. Suction devices such as those commonly used in tonsillectomies can be employed. The blood and fluid connected through the fastening system 102 can be collected remote from the patient for measurement to determine how much, if any, fluid is to be replaced in the patient.

IV. Intravenous Tube Fastening System 202

An intravenous ("IV") tube fastening system 202 comprising a third modified or alternative embodiment of the present invention is shown in Fig. 13. A membrane assembly 204 and a sheath assembly 206 can be substantially the same as the membrane and sheath assemblies 104, 106 described above in connection with the surgical suction fastening system 102.

The IV tube fastening system 202 can be applied over an IV site or a cannula 208 inserted into the vein of the patient through a skin puncture site 210. The cannula 108 can be fitted at its distal end with a heparin lock 12 which can lie adjacent to the skin surface.

By forming the membrane assembly 204 of a transparent or translucent material, the heparin lock 212 can be observed through the membrane assembly 204 which overlies it. A hypodermic needle 214 can be inserted through the membrane assembly 204 and into the heparin lock for fluidically connecting an IV tube 216 connected to the needle 214 with the cannula 208 whereby an intravenous flow of fluid can be

established. The IV tube 216 can be secured to the sheath assembly 206 by any suitable means including those discussed above. By effectively utilizing the strength, adhesive and vapor permeability properties of the membrane assembly 204 and the sheath assembly 206, the IV puncture site 210 can be effectively closed off against bacteria to reduce the risk of infection, and the IV tube 216 can be effectively secured to the patient to minimize the risk of being inadvertently pulled loose. The semi-permeable nature of the membrane assembly 204 can facilitate patient comfort, particularly if the IV system is left in place for a prolonged period of time. The transparent or translucent nature of the membrane assembly 204 facilitates observation of the puncture site 210, whereby inflation or infection can be promptly detected and treated.

15

V. Foley Catheter Fastening System 302

A Foley catheter fastening system 302 comprising a fourth modified or alternative embodiment of the present invention is shown in Figs. 14 and 15, and generally comprises a membrane assembly 304 and a sheath assembly 306, which can be generally similar to the membrane and sheath assemblies described above in connection with the fastening systems 102 and 202.

In the application of the fastening system 302 to a patient, a Foley catheter 308 is applied to the patient by inserting a catheter tube 310 thereof through the urethra and into the bladder of the patient. The tube 310 mounts a balloon on the end thereof which can be inflated with air or liquid in the patient's bladder. The fastening system can be applied by slipping the sheath 306 over the catheter tube 310

and adhesively securing panels 312 of the membrane assembly 304 to the patient's penis 314. Sheath end tabs 316 can be placed on top of and below the glans or penile head 318.

The sheath 306 can be secured to the tube 310 by suitable
5 sheath-to-tube fasteners 320, which can be of any of the types discussed above. The membrane assembly 304 in conjunction with the sheath assembly 306, would enclose the meatal/catheter junction 322 and could be helpful in controlling nosocomial infection entering the urethra through
10 this junction.

Due to the transparent or translucent nature of the membrane assembly 304, the catheter tube 310 can alternatively be inserted after the fastening system 302 is in place by sliding it through the sheath assembly 306 and then into the
15 urethra.

VI. Multiple Tube Fastening System 402

A multiple tube fastening system 402 comprising a fifth modified or alternative embodiment of the present invention
20 is shown Fig. 16 and generally comprises a membrane assembly 404 and a sheath assembly 406, which can be substantially similar to the membrane and sheath assemblies described above in connection with fastening systems 102, 202 and 302. A percutaneous tube 408 and a suction tube 410 extend into the
25 sheath assembly 406 in juxtaposed relation. The sheath assembly 406 can be longitudinally, axially split from a distal end 412 of the sheath assembly 406 to a location in spaced relation from the membrane assembly 404, whereby first and second sheath half-sections 414, 416 are formed. The
30 first sheath half-section 414 can be attached to the

percutaneous tube 408 by suitable fastening means 418, and the second sheath half-section 416 can be fastened to the suction tube 410 by similar fastening means 318.

The fastening system 402 can be used in conjunction with
5 a gastrostomy or antrostomy tube 408, with the suction tube 410 provided for draining fluid leakage from around the stomal site. The suction tube 410 can terminate at a proximate end 420 in proximity to a proximate end 422 of the sheath assembly 406. A relatively fluid-tight connection can be formed
10 between the sheath assembly 406 and the tubes 408, 410 with a sheath-to-tube fastening means 424, or adhesive on the inside of the sheath assembly 406, or a combination of both. In this manner irrigation and suction can be applied simultaneously or consecutively without having to remove or
15 disturb the fastening system 402.

Without limitation on the generality of useful applications of the fastening system 402, it is applicable to other surgical procedures such as ileostomy and the placement of ileo conduits, and virtually any other stomal procedures.

20 Alternatively, the fastening system 402 can include a sheath assembly in the form of a Y-connector or T-connector with supply sources of liquid connected to one branch of the connector and suction sources connected to the branch. Still further, multiple sheath assemblies 406 can be connected to
25 the membrane assembly 404. Tubing and other flexible lines for multiple functions can also be achieved with the fastening system 402 by providing tubing with multiple lumens. Such flexible lines can comprise tubing, electrical wires, e.g., connected to electrodes, fiber optic cables, etc.

VII. Fastening System 502 with Integral Sheath Attachment

A fastening system 502 with an integral sheath clamp 504 is shown in Fig. 17 and comprises a sixth modified or alternative embodiment of the present invention. The fastening system 502 includes a sheath assembly 506 which can otherwise be substantially similar to the sheath assemblies 106, 206, 306 and 406 described above. The integral sheath clamp 504 comprises first and second fastening patches 508, 510 secured to the sheath assembly 506 in proximity to respective opposite second side edges 512, 514 of the sheath assembly 506. The fastening patches 508, 510 can comprise, for example, the hook and loop components of a hook-and-loop fastening system, such as that available under the trademark "VELCRO". Alternatively, the fastening system 502 can comprise other types of mechanical fasteners, such as snaps, etc., or adhesive fasteners. The sheath clamp 504 is particularly useful for temporarily securing a tube to the sheath assembly 506, or as in the step shown in Fig. 6 for temporarily securing a nasogastric tube 6. By including the sheath clamp 504 in the sheath assembly 506, convenience in use can be facilitated because the health care provider does not need to locate a clamping device, which might otherwise be subject to becoming lost or misplaced.

VIII. Wound Dressing System 601

A wound dressing system comprising a seventh modified or alternative embodiment of the present invention is shown in Fig. 18 and is generally designated by the reference numeral 601. The wound dressing system 601 can be applied to a wound site 602 which is surrounded by healthy skin 604. The

dressing system 601 generally consists of panel means 606, fluid control means 608 and conduit means 610.

The panel means 606 can comprise a pair of panel sections 612 joined at a seam 614. The panel sections 612 can comprise
5 a variety of different materials, including semi-permeable membranes such as "Tagaderm", which is available from the 3M (Minnesota Mining and Manufacturing) Company of St. Paul, Minnesota. The panel sections 612 can also comprise, for example, occlusive, impermeable and impervious films, sheets
10 and layers of various materials which can be chosen for desired characteristics in connection with dressing a particular wound. Such characteristics and criteria might include, for example, permeability, porosity, thickness, flexibility, fluid absorption, hypoallergism, the presence or
15 absence of adhesive coatings, etc. The panel sections 612 have inner and outer surfaces 616, 618. The panel section inner surfaces 616 can be coated with adhesive 619 to provide fixation means for affixing the panel means 606 to the adjacent healthy skin 604 around the perimeter of the wound
20 602. Adhesive tape 620 can be used as an alternative or supplementary fixation means.

The fluid control means 608 can comprise a variety of materials which can be disposed intermediately between the wound 602 and the panel section inner surfaces 616. Such
25 materials for the fluid control means 608 can include gels such as "Vigilon" primary wound dressing, which is available from C. R. Bard, Inc., Bard Home Health Division, Berkeley Heights, New Jersey, and membranes such as "Mitraflex" wound dressing, which is available from Calgon Corporation,
30 Subsidiary of Merck & Co., Inc., St. Louis, Missouri. The

fluid control means can be adapted to meet the requirements of particular wounds 602 being treated. For example, materials can be chosen for their characteristics of permeability or impermeability, absorptive properties and anti-coagulation properties. Hydrophilic and hydrophobic properties can also be important for the fluid control means 608. Various types of mat materials and sponge or foam materials with fluid-wicking properties can be utilized for the fluid control means 608. The properties of the fluid control means 608 preferably compliment the properties of the panel means 606 to provide the desired fluid control for the wound dressing system 601.

The conduit means 310 includes a sheath 322 which can comprise, for example, a sheath such as that which is available from Aero International, Inc., of Reading, Pennsylvania. The sheath has a proximate end 624 which is captured within the panel seam 614 and is open at the panel section inner surfaces 616, a distal end 626 located in spaced relation outwardly from the panel section outer surfaces 618, and a sheath passage 628 extending between the sheath ends 624, 626. The sheath distal end 626 has a tapered configuration which converges to a neck opening 627 having a reduced diameter as compared with the rest of the sheath passage 628.

The panel means 606 and the sheath 622 described thus far can be generally similar to any one of several combined panel (or membrane) and sheath systems described in my U.S. Patents No. 4,969,880 and No. 5,100,396, which are incorporated herein by reference.

The conduit means 610 also includes a suction tube 630 with proximate and distal ends 332, 334 and a tube passage 336 extending therebetween. The tube proximate end 332 can be located between the wound 602 and the fluid control means 608, particularly in a system 601 with impervious, hydrophobic fluid control means 608. In such a system the fluid control means 608 would form a fluid barrier, trapping fluid between the wound 602 and the fluid control means 608 for evacuation by the suction tube 630 through its proximate end 632. The tube distal end 634 is connected to a suitable suction or vacuum source 638.

The sheath 622 is provided with means for engaging the suction tube 630 in a fluid-tight gripping engagement. Such means can comprise, for example, one or more encircling ties 640 which can be formed with suture threads, rubber bands, cinch loop fasteners 52 as described herein, etc. Such gripping engagement means can also comprise, for example, the configuration of the sheath distal end 626 with a relatively narrow neck opening 627 and a slightly tapered configuration converging towards the sheath distal end neck opening 627 as described above. This configuration of the sheath distal end 626 permits a tube-securing procedure wherein the tube proximate end 632 is inserted through the sheath distal neck end opening 627 (Fig. 18a), thus pushing an outer portion of the sheath 622 into the sheath passage 628 whereby the sheath 622 is doubled on itself. The resulting structure (Fig. 18b) can then be secured with ligatures 640 or other suitable, encircling fastening means or clamps to provide an extra measure of security against leakage, thereby enhancing the effectiveness of the vacuum source 638 and minimizing the risk

of bacteria entering the wound site 602 along the suction tube 630.

The system 601 is adapted for the introduction of fluids as well as the evacuation thereof. Thus, various fluids such as antibiotics, growth factor, liquid medications, enzymes, etc. can be introduced to the wound site 602. Liquids can also be introduced to the wound site 602 for the purpose of irrigating the wound. Such liquids can be removed by using the wound dressing system 601 in a suction/drainage mode of operation. Multiple wound dressing systems 601 can be employed for simultaneous introduction and evacuation of fluids. The wound dressing system 601 can be used in tandem, or with multiple conduit means 610 for simultaneous fluid introduction and evacuation. The wound dressing system 601 is adapted for dressing a variety of wounds, particularly cavitory wounds, such as might result from a skin graft procedure at a donor location, a burn, a decubitus ulcer, etc. The wound dressing system 601 can be preassembled and prepackaged in various size and component material combinations, with the appropriate prepackage system being selected by the health care practitioner based upon the requirements for dressing a particular wound. Alternatively, the components can be assembled in situ, for example, in an operating room or in a health care facility, by the health care practitioner. The size relationships of the various components can vary according to the conditions of particular wounds being dressed. For example, the fluid control means 608 can be relatively large and the panel means 606 can be relatively small for placement at any one of a variety of locations on the fluid control means 608. Possible

configurations include placement of a relatively small panel means 606 at an edge of the fluid control means 608, placement of a relatively small panel 606 at or near the center of a relatively large fluid control means 608 with the suction tube
5 630 extending through an opening in the fluid control means 608, etc.

IX. Suction Sponge System 701

A suction sponge system 701 comprising an eighth modified
10 or alternative embodiment of the present invention is shown in Fig. 19. The suction sponge system 701 generally comprises panel means 702, sponge means 704 and conduit means 706. The sponge means 704 can assume various configurations to accommodate the requirements of particular applications. The
15 sponge means 704 as shown in Fig. 19 is generally rectangular in form, with inner and outer sponge faces 708, 710, and a perimeter edge 712.

Without limitation on the generality of useful sponge materials, exemplary sponge materials include "Merocel", and
20 materials available from ASSI, Wick, Dow-Corning-Wright, Axiom Medical Products, Inc. and Davol, Inc. subsidiary of C. R. Bard, Inc. Such materials are preferably chosen for their desired characteristics such as capillary action, porosity, etc. Such products, which include a variety of foams, can be
25 provided with an anti-clotting or anti-coagulation coating. Mat materials, such as polyurethane foam, may be suitable for use with the suction sponge system 701.

The panel means 702 is affixed to the sponge outer face 710, and can comprise panel means such as the panel means 606

described above. The conduit means 706 can be substantially similar to the conduit means 610 described above.

The suction sponge system 701 can be utilized in a variety of surgical and other medical procedures where fluid
5 evacuation is desired. In particular, the suction sponge 701 combines the benefits of open-ended suction tubes and surgical sponges by providing a system for evacuating fluid from a relatively wide area.

The panel means 702 and the sponge means 704 can be
10 modified in the operating room and matched to meet the requirements of various applications. For example, they can be trimmed to accommodate the sizes and shapes of various wounds and operating sites.

A suction tube 714 preferably has a proximate end 716
15 thereof located in close proximity to the outer sponge face 710 for enhancing the collection of fluid from the sponge means 704. The suction tube proximate end 716 can be positioned at various locations on the sponge outer face 710, but a central location may be preferable to provide the
20 shortest average distances for fluid flow from the sponge outer face 710 and the sponge perimeter edge 712.

X. Extremity Fluidic Communication System 801

A fluidic connection system comprising a tenth modified
25 or alternative embodiment of the present invention is shown in Figs. 20-23 and is generally designated by the reference numeral 801. The fluidic communication system 801 is designed for application to an extremity (e.g., a penis) 802 and generally comprises panel means 804, fluid control means 806
30 and conduit means 808.

The panels means 804 can comprise, for example, any suitable membrane or sheet-type material, such as those discussed above, which can be affixed to the extremity by placing a panel section 810 on each side thereof as shown, with adhesive 812 on inner surfaces 814 of the panel sections 810 securing them together. Alternatively, the panel means 804 can be wrapped around an extremity and secured with other fixation means, such as tape, sutures, etc.

The fluid control means 806 comprises a collar 820 of a suitable sponge material (see the discussion above) with a generally cylindrical configuration having proximate and distal ends 822, 824 and a collar bore 826 extending therebetween and open thereat. The collar 820 includes a slit 828 extending longitudinally between its ends 822, 824 for providing access to the collar bore 826 whereby the collar 820 can be snapped in place over the conduit means 808.

The conduit means 808 comprises a multi-lumen catheter tube 829 with a proximate end 830 having a collector balloon 831 for inflation within the bladder 833 of a patient and a distal end 832. The catheter tube 829 includes an air lumen 834 in communication with the balloon 831 for inflating same, a urine lumen 836 which extends generally axially from the balloon 831, an irrigation lumen 833 which terminates at an irrigation outlet 840 in spaced relation outwardly from the proximate end 830, and a suction lumen 842 which terminates at a suction port 840 which can be located in proximity to the collar distal end 824 in fluidic communication with the collar 820. The air, irrigation and suction lumens 834, 838 and 842 can be provided with suitable connectors 846, 848, 850 respectively, e.g., "Luer-Lock" type connectors for fluidic

connection to suitable fluidic devices (e.g., pneumatic squeeze bulbs, collection bags, pumps and suction sources) which are commonly used for these purposes. The urine lumen 836 terminates at a bell-shaped female end 852 which can be
5 connected to a suitable collection bag via a tube.

A spiral groove 854 is formed in the catheter tube 829 and extends generally from the area of the irrigation outlet 840 to the suction port 844 and provides a passageway for irrigating fluid which can be introduced through the
10 irrigation lumen 838 and evacuated through the suction lumen 842 and generally functions to irrigate and flush the urethra, thereby reducing risks of infection and bacteriological activity in the urethra.

The collar 820 is preferably installed with its proximate
15 end 822 against the meatus 856. Various configurations of the conduit means 808 can be employed, for example, the irrigation lumen 838 can be eliminated. The extremity fluidic connection system 801 can be utilized to treat other extremities, such as hands, arms, feet, legs, digits, etc. Suitable panel means
20 804, fluid control means 806 and conduit means 808 can be selected for particular applications.

XI. Cinch Loop Fastener 52

A cinch loop fastener 52 as shown in Figs. 6 and 9 is
25 shown in an intravenous tube system 901 in Figs. 24-30 as a tenth modified or alternative embodiment of the present invention. The IV tube system 901 includes panel means 902, conduit means 904 comprising a sheath 906 and an intravenous tube 908, and the cinch loop fastener 52. The discussions of
30 panel means and the conduit means above pertain to the panel

means 902 and the conduit means 904, which can assume various configurations and comprise various materials within the scope of the present invention.

The cinch loop fastener 52 includes a hub 910 with a
5 generally oval configuration and a slot 912, a relatively wide
base leg 914 and a relatively narrow wrap leg 916. Adhesive
918 can be applied to a base leg outer surface 920 and covered
by a removable, protective adhesive cover 922. A loop or pile
portion 924 of the hook-and-loop fastener 54 (e.g., "Velcro"
10 fastener) can be applied to an inner surface 926 of the base
leg 920 and a hook portion 928 thereof can be applied to an
inner surface 930 of the wrap leg 916.

Figs. 27-30 show wrapping the IV tube 908 with the wrap
leg 916 and securing the cinch loop fastener 52 in its closed
15 configuration adhered to the panel means 902 over an IV site
932. These steps involve extending a distal end 934 of the
wrap leg 916 through the slot 912, returning the wrap leg 916
outwardly from under the hub 910, and folding the wrap leg 916
back over the base leg 914 for attachment of the hook-and-loop
20 fastener 54. The wrap leg 916 thus pivots around the hub 910
through about one and one-half turns, or about 540 degrees.

The cinch loop fastener 52 can be used for securing a
variety of tube and sheaths on a variety of surfaces,
including panels, dressings and fasteners such as those
25 described herein.

It is to be understood that while certain forms of the
present invention have been illustrated and described herein,
it is not to be limited to the specific forms or arrangement
or parts described and shown.

C L A I M S

What is claimed and desired to be secured by Letters Patent is as follows:

1. A line fastening system, which comprises:
 - (a) a membrane assembly including first and second membrane panels each having an adhesive face, said membrane assembly including a seam whereat said panels are adhesively joined together at their respective adhesive faces; and
 - (b) membrane-to-line fastening means for fastening the membrane assembly to the line.

2. The invention of claim 1, which includes:
 - (a) a sheath assembly having a generally tubular configuration, proximate and distal ends, and a sheath passage extending between said sheath ends, said sheath assembly comprising a flexible material;
 - (b) membrane-to-sheath fastening means for fastening said membrane assembly to said sheath assembly; and
 - (c) sheath-to-tube fastening means for fastening said sheath assembly to said tube.

3. The invention of claim 2, which includes:
 - (a) said membrane-to-sheath fastening means comprising said sheath assembly being adhesively secured within said membrane assembly seam.

4. The invention of claim 3 wherein:
 - (a) said sheath assembly is secured in said membrane assembly seam in proximity to said sheath assembly proximate end; and
 - (b) said sheath assembly includes a split mouth at its proximate end with a pair of tabs each connected to a respective membrane assembly panel.

5. The invention of claim 1, which includes:
 - (a) said first membrane panel including first and second end edges and a pair of opposite side edges;
 - (b) said first membrane panel further including a first flap panel extending from the first end edge thereof;
 - (c) said second membrane panel comprising a second flap panel adhesively secured to said first flap panel at the seam; and
 - (d) said first and second flap panels forming a membrane assembly extension.

6. The invention of claim 2, which includes:
 - (a) an adhesive layer on said sheath assembly within said sheath passage.

7. The invention of claim 6, which includes:
 - (a) a sheath adhesive backing strip extending through said sheath passage in releasable engagement with said sheath adhesive layer.

8. The invention of claim 1 wherein:

- (a) said sheath-to-line fastening means comprises a cinch belt with a hook-and-loop fastener.
9. The invention of claim 1 wherein:
- (a) said sheath-to-line fastening means comprises a twist tie.
10. The invention of claim 1 wherein:
- (a) said sheath-to-line fastening means comprises a hook-and-loop fastener mounted on said sheath, with hook and loop portions thereof positioned in spaced relation on said sheath.
11. A system for fastening a nasogastric tube to a patient's face, which comprises:
- (a) a membrane assembly including a first panel having first and second end edges, opposite side edges, a first flap panel extending from said first end edge and an adhesive layer;
 - (b) a second body panel comprising a second flap panel having an adhesive layer and secured to the first flap panel at a membrane assembly seam formed by said body panel adhesive layers; and
 - (c) sheath-to-tube fastening means for fastening said sheath assembly to said nasogastric tube.

12. The invention of claim 11, which includes:
- (a) a sheath assembly having a generally tubular configuration with proximate and distal ends and a sheath passage extending between said sheath assembly ends; and
 - (b) membrane-to-sheath fastening means for fastening said membrane assembly to said sheath assembly and comprising said sheath assembly being secured in proximity to its proximate end between said panels at said membrane assembly seam.
13. The invention of claim 11, which includes:
- (a) each said flap panel having a proximate edge adjacent to said first panel first end edge and a distal edge, one of said flap panels terminating at a distal edge positioned in spaced relation beyond the distal edge of said other flap panel; and
 - (b) an adhesive backing on said one flap panel between the flap panel distal edges.

14. A system for fastening a surgical sponge to a suction tube, which comprises:
- (a) a membrane assembly including first and second body panels each having an adhesive face, first and second end edges and opposite side edges;
 - (b) said membrane assembly including a membrane assembly seam whereat said first and second body panels are adhesively connected adjacent to their respective first ends;
 - (c) said body panels comprising a flexible material;
 - (d) a sheath assembly having a generally tubular configuration with proximate and distal ends and a sheath passage extending therebetween, said sheath assembly having a split, open mouth at its proximate end with first and second sheath mouth tabs;
 - (e) sponge fastening means for fastening said sponge between said body panels with a portion thereof between said sheath mouth tabs; and
 - (f) sheath-to-tube fastening means for fastening the sheath to a suction tube.
15. The invention of claim 14 wherein:
- (a) said surgical sponge includes a backing layer with less permeability than a remaining portion of said sponge.

16. A system for fastening an intravenous tube, a needle and a cannula to a patient, which includes:
- (a) a membrane assembly having a pair of body panels each having first and second ends and opposite side edges;
 - (b) said membrane assembly including a membrane assembly seam extending transversely thereacross whereat said membrane panels are adhesively joined together at their respective adhesive faces in proximity to their respective first ends;
 - (c) each said body panel comprising a semi-permeable material with an adhesive layer;
 - (d) a sheath assembly with a generally tubular configuration, proximate and distal ends and a sheath passage extending therebetween;
 - (e) patient attachment means for securing one of said body panels to a patient in covering relation over said cannula; and
 - (f) sheath-to-tube fastening means for fastening said sheath to said tube with said tube fluidically communicating with said needle.
17. The system according to claim 16 wherein:
- (a) said needle extends through said one body panel to said cannula; and
 - (b) said tube is fastened on the outside of said sheath.

18. The invention of claim 16 wherein:
- (a) said tube is positioned at least partly within said sheath passage.
19. A system for fastening a Foley catheter including a drain tube to a patient's penis, which includes:
- (a) a membrane assembly having first and second body panels each having an adhesive face;
 - (b) said membrane assembly including a membrane seam whereat said panels are adhesively joined together at their adhesive faces;
 - (c) fastening means for fastening said membrane assembly to the patient's penis; and
 - (d) membrane-to-tube fastening means for fastening said membrane to said tube.
20. The invention of claim 19 which includes:
- (a) a sheath assembly having a generally tubular configuration, proximate and distal ends and a sheath passage extending between said ends;
 - (b) said sheath assembly extending through said membrane assembly seam between said membrane assembly panels and being adhesively secured thereto in proximity to said sheath assembly proximate end; and
 - (c) sheath-to-tube fastening means for fastening said tube to said sheath with said tube extending through said sheath passage.

21. The invention of claim 19 wherein:
- (a) said means for fastening said membrane assembly to the patient's penis comprises said adhesive on first body panel; and
 - (b) said membrane assembly at least partly encircles said tube and is fastened thereto.
22. A system for fastening a pair of tubes to a patient, which comprises:
- (a) a membrane assembly including first and second panels each having an adhesive face, first and second end edges and opposite side edges;
 - (b) said membrane assembly including a membrane assembly seam whereat said panels are adhesively joined together at their adhesive faces adjacent to their first end edges;
 - (c) a sheath assembly having a generally tubular configuration, proximate and distal ends and a sheath passage extending between said sheath ends, said sheath assembly comprising a flexible material;
 - (d) said sheath assembly being secured to said membrane assembly within said membrane assembly seam in proximity to said sheath assembly proximate end; and
 - (e) first and second sheath-to-tube fastening means each adapted for fastening a respective tube to said sheath assembly.

23. The invention of claim 22 which includes:
- (a) said sheath assembly being split adjacent to its distal end and including first and second sheath half sections; and
 - (b) each said tube being fastened to a respective sheath half section.
24. The invention of claim 22 wherein:
- (a) said sheath assembly includes first and second branches each fastened to a respective tube.
25. The invention of claim 24 wherein:
- (a) said sheath assembly first and second branches are interconnected by a T-connector.
26. The invention of claim 24 wherein:
- (a) said sheath assembly first and second branches are interconnected by a Y-connector.

27. The invention of claim 22, which includes:
- (a) a second sheath assembly having a generally tubular configuration, proximate and distal ends and a sheath passage extending between said sheath ends, said second sheath assembly comprising a flexible material;
 - (b) said second sheath material being secured to said membrane assembly within said membrane assembly seam in proximity to said second sheath assembly proximate end; and
 - (c) said second tube being fastened to said second sheath assembly.
28. A method of fastening a flexible line to a patient, which comprises the steps of:
- (a) providing a membrane assembly including first and second membrane panels each having first and second end edges, opposite side edges and an adhesive face;
 - (b) adhesively joining respective portions of said membrane panel adhesive faces adjacent to said panel first end edges to form a seam thereat;
 - (c) providing a sheath with a generally tubular configuration and proximate and distal ends with a sheath passage extending therebetween;
 - (d) adhesively securing the sheath within the membrane assembly seam;
 - (e) fastening said membrane panels at their adhesive faces to the patient; and
 - (f) fastening the tube to the sheath.

29. The invention of claim 28 wherein said tube comprises a nasogastric tube and which includes the additional steps of:
- (a) releasing said tube from said sheath;
 - (b) repositioning said tube with respect to said patient; and
 - (c) reattaching said sheath to said tube.
30. The invention of claim 28 wherein said tube comprises an intravenous tube, and which includes the additional steps of:
- (a) inserting a cannula into the patient at a puncture site;
 - (b) providing a heparin lock on said cannula;
 - (c) covering said puncture site and said cannula with said membrane assembly;
 - (d) inserting a hypodermic needle through said membrane assembly and into said heparin lock; and
 - (e) connecting said hypodermic needle to said intravenous tube.

31. The invention of claim 28 wherein said tube comprises part of a Foley catheter, and which includes the additional steps of:
- (a) inserting the Foley catheter into the urethra of a patient;
 - (b) placing the membrane assembly over the urethra/catheter junction; and
 - (c) inserting the catheter tube through the sheath.
32. The invention of claim 30 wherein a second tube is connected to the patient, and which includes the additional steps of:
- (a) providing a second sheath assembly;
 - (b) connecting said second sheath assembly to said membrane assembly; and
 - (c) connecting said second tube to said second sheath assembly.

33. A method of fastening a nasogastric tube to a patient, which includes the steps of:
- (a) providing a membrane assembly with a first body panel including first and second end edges, opposite side edges, an extension flap extending from said first end edge and an adhesive face;
 - (b) placing a second flap panel with an adhesive layer against the adhesive layer of said body panel;
 - (c) providing an exposed adhesive area on said extension flap with said second flap panel between said exposed adhesive area and said body panel first end edge;
 - (d) adhesively attaching the body panel to the patient's face over the patient's nose with the second flap panel in proximity to the patient's nostrils; and
 - (e) adhesively attaching said exposed adhesive area of said extension flap to said nasogastric tube.

34. A method of fastening a surgical sponge with first and second faces to a suction tube, which comprises the steps of:
- (a) providing a membrane assembly with first and second membrane panels each having first and second end edges, opposite side edges and an adhesive face;
 - (b) adhesively attaching said membrane panels together at their adhesive faces adjacent to their first end edges to form a membrane assembly seam;
 - (c) providing a sheath assembly with a generally tubular configuration, proximate distal ends and a passage extending therebetween;
 - (d) fastening said sheath assembly within said membrane assembly seam in proximity to said sheath assembly proximate end;
 - (e) placing a portion of said sponge between said membrane assembly panels; and
 - (f) adhesively securing said membrane assembly panels to said sponge with said sponge fluidically communicating with said sheath.
35. The invention of claim 34, which includes the additional step of:
- (a) providing said surgical sponge with a layer having less permeability than a remainder of said surgical sponge.

36. A wound dressing, which includes:
- (a) wound covering means with an inner contact surface and an outer surface;
 - (b) fixation means for releasably affixing said covering means on the wound;
 - (c) said covering means having an interior portion with an opening extending between and open at said inner and outer surfaces thereof;
 - (d) conduit means having a proximate end fluidically communicating with said wound and a distal end located outwardly from said outer surface; and
 - (e) fluid control means disposed intermediate said covering means and said wound for controlling a flow of fluid from said wound to said conduit means proximate end.
37. The invention of claim 36 wherein:
- (a) said fluid control means includes an edge; and
 - (b) said wound covering means is positioned over said fluid control means edge with said tube means extending under said fluid control means edge.

38. The invention of claim 36 wherein:
- (a) said fluid control means includes an interior portion with an opening; and
 - (b) said wound covering means is positioned over said fluid control means interior portion with said tube means extending through said fluid control means opening.
39. The invention of claim 36 wherein:
- (a) said wound covering means is substantially larger in area than said fluid control means and covers same.
40. The invention of claim 36 wherein:
- (a) said fluid control means is substantially larger in area than said wound covering means.
41. The invention of claim 36 wherein:
- (a) said fluid control means comprises a gel material.
42. The invention of claim 36 wherein:
- (a) said fixation means comprises a pressure differential across said wound dressing.
43. The invention of claim 36 wherein:
- (a) said fluid control means comprises a mat material.
44. The invention of claim 36 wherein:
- (a) said fluid control means comprises a sponge material.

45. The invention of claim 36 wherein:
- (a) said fluid control means comprises a foam material.
46. A system for fluidically connecting a vacuum source with a wound site, which comprises:
- (a) panel means with an inner surface, an outer surface and an interior portion having an opening extending between said inner and outer surfaces;
 - (b) fixation means for mounting said panel means in covering relation over said wound site;
 - (c) sheath means having a generally tubular configuration with a proximate end positioned in proximity to said opening and a distal end positioned outwardly from said opening, said sheath means extending through said opening, said sheath means including a passage extending between said sheath proximate and distal ends;
 - (d) a suction tube including a proximate end positioned under said panel means and a distal end connected to the suction source externally of the panel means, said suction tube extending through the sheath passage;
 - (e) sheath-to-tube clamping means for clamping said sheath on said tube in fluid-tight engagement; and
 - (f) fluid control means positioned intermediate said wound site and said panel means for controlling fluid flow from said wound site to said suction tube.

47. The invention of claim 46 wherein:

(a) said fixation means comprises a pressure differential across the panel means caused by the vacuum source.

48. The invention of claim 46 wherein:

(a) said fixation means includes adhesive means for mounting the panel to skin adjacent the wound site.

49. A suction-assisted surgical sponge system, which includes:
- (a) panel means including a pair of panel sections each having inner and outer surfaces, said panel means including a seam whereat said panel sections are joined together;
 - (b) sponge means having an inner surface, an outer surface and a perimeter edge;
 - (c) fixation means for fixing said panel section inner surfaces to said sponge means outer surface;
 - (d) conduit means including a sheath having a proximate end mounted in said panel means seam and terminating in proximity to said panel section inner surfaces, a sheath distal end located outwardly from said panel section outer surfaces and a sheath passage extending through said sheath between the ends thereof;
 - (e) a suction tube including a proximate end in fluidic communication with said sheath passage and a distal end adapted for connection to a suction source; and
 - (f) means for connecting said suction tube to said sheath with at least a portion of said suction tube in said sheath passage in a relatively fluid-tight engagement.

50. An extremity fluidic communication system, which comprises:
- (a) panel means including inner and outer surfaces;
 - (b) fixation means for affixing said panel means to said extremity;
 - (c) conduit means including a proximate end fluidically communicating with the extremity, a distal end positioned outwardly from the panel means and a conduit passage extending between the conduit means ends; and
 - (d) fluid control means for controlling fluid flow from said extremity to said conduit.
51. The invention of claim 50 wherein:
- (a) said fluid control means comprises a sponge material collar with proximate and distal ends and a passage extending between said ends, said passage receiving said conduit means.
52. The invention of claim 51 wherein:
- (a) said collar includes a slit extending longitudinally between said collar ends and radially to said collar passage for passing said conduit means therethrough into said passage.

53. The invention of claim 50 wherein:
- (a) said conduit means comprises a Foley catheter with a urine lumen, an air lumen and a suction lumen, said suction lumen terminating at a suction port in fluidic communication with said fluid control means.
54. The invention of claim 53 wherein:
- (a) said conduit means includes an irrigation lumen extending from said conduit means distal end to an irrigation outlet in spaced relation from said conduit means proximate end; and
 - (b) said conduit means includes a spiral irrigation groove extending along said conduit means from said irrigation outlet to said fluid control means.
55. A cinch loop fastener, which comprises:
- (a) a hub including a slot;
 - (b) a base leg extending from said hub in a first direction;
 - (c) a wrap leg extending from said hub in a second direction;
 - (d) means for wrapping said wrap leg around an object to be fastened and extending same through said slot; and
 - (e) means for fastening said wrap leg on said base leg.
56. The invention of claim 55 wherein:
- (a) said means for fastening said wrap leg on said base leg comprises a hook-and-loop fastener.

57. The invention of claim 55 wherein:

- (a) said base leg includes an outer surface mounting a portion of said means for fastening said wrap leg to said base leg and an inner surface; and
- (b) said base leg includes a layer of adhesive on said inner surface thereof.

Fig. 1.

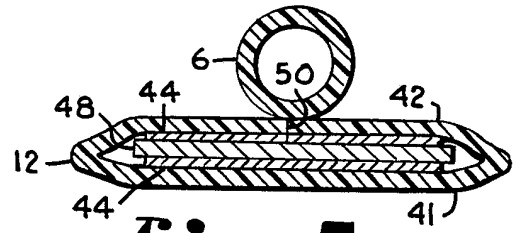
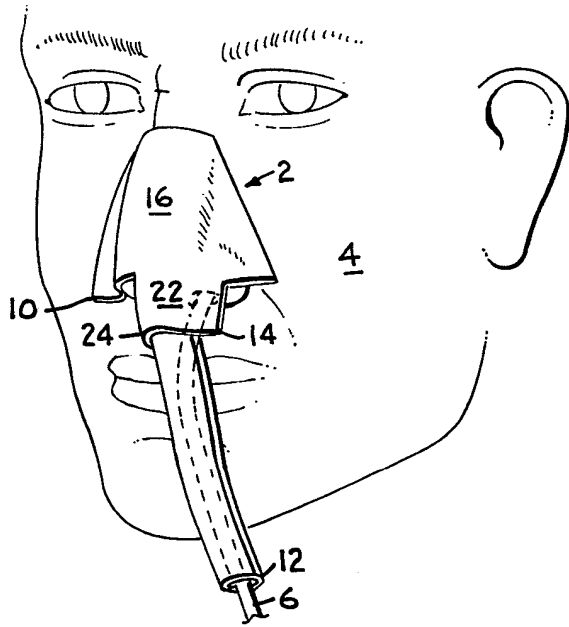


Fig. 5.

Fig. 2.

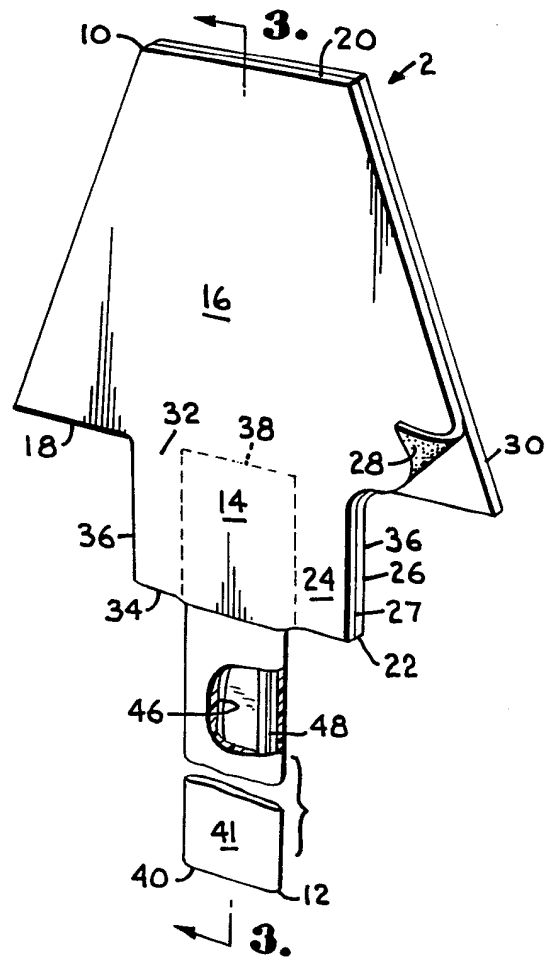


Fig. 4.

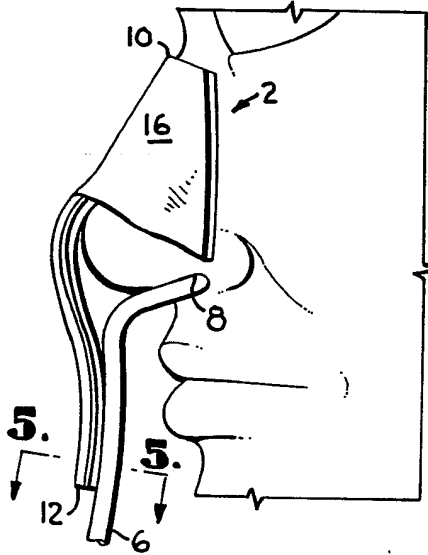


Fig. 8.

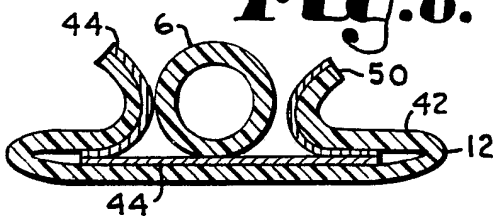


Fig. 9.

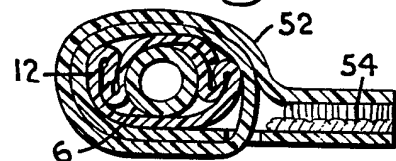


Fig. 6.

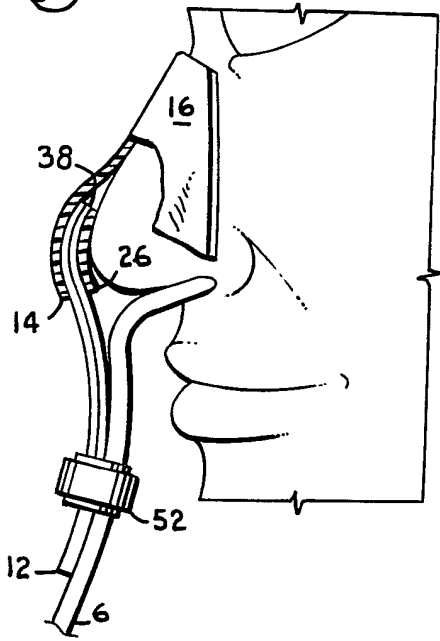


Fig. 7.

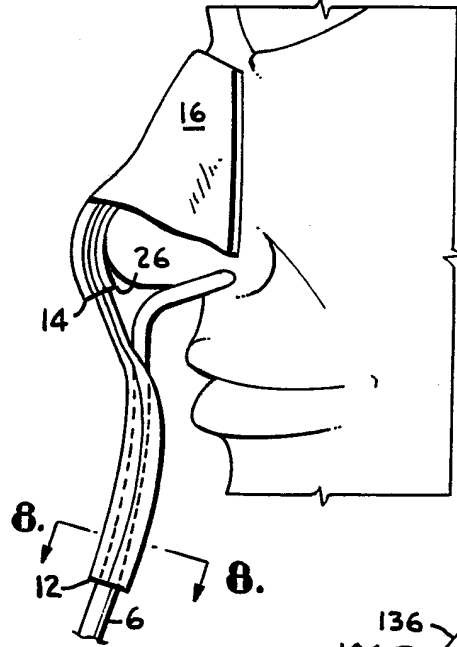


Fig. 3.

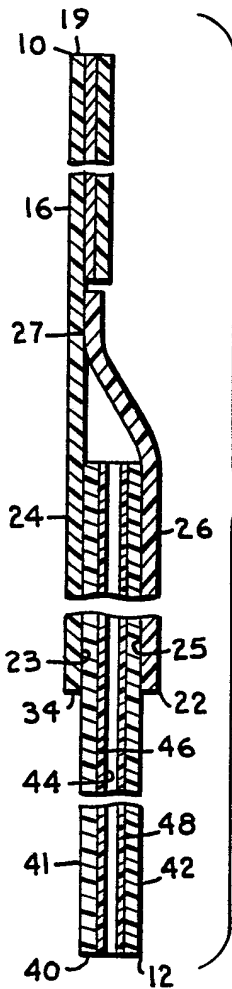


Fig. 10.

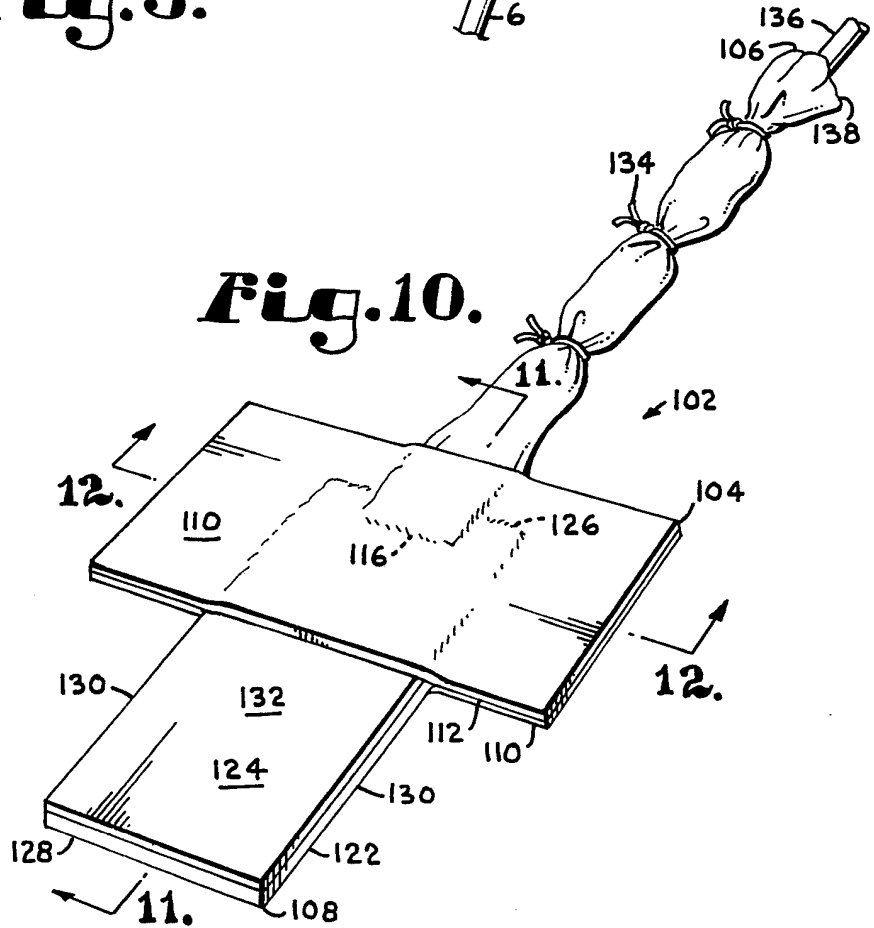


Fig. 12.

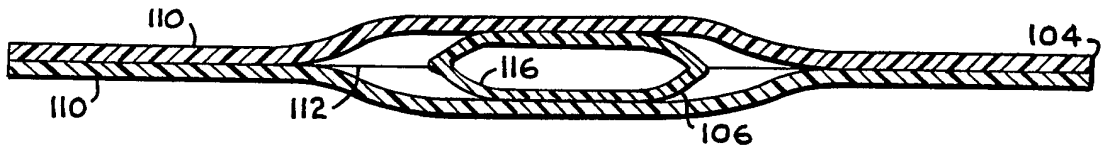


Fig. 11.

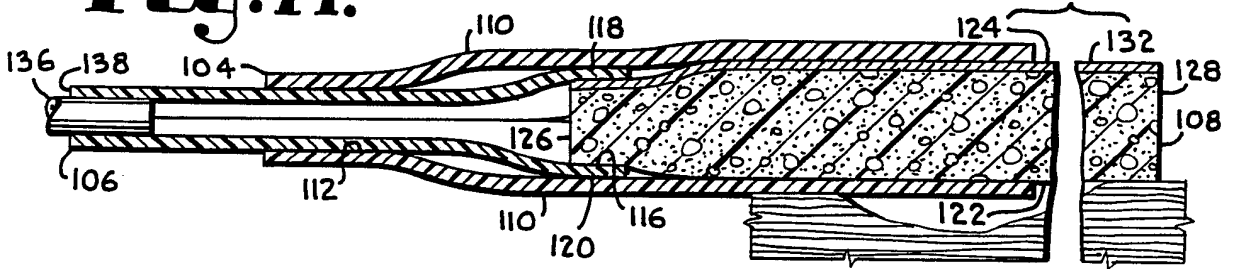


Fig. 2a.

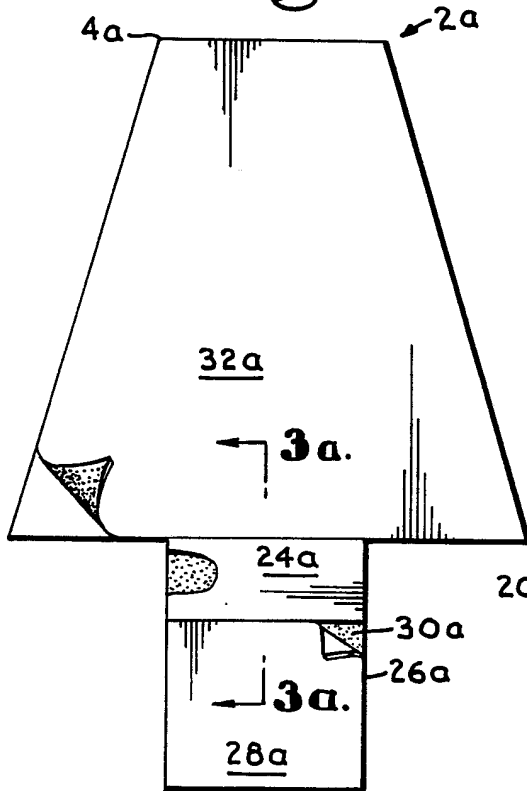


Fig. 3a.

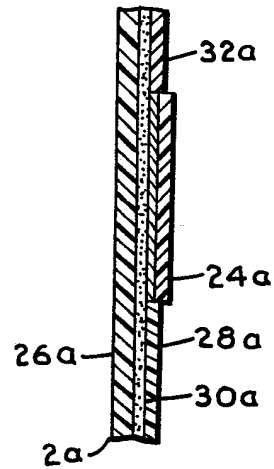
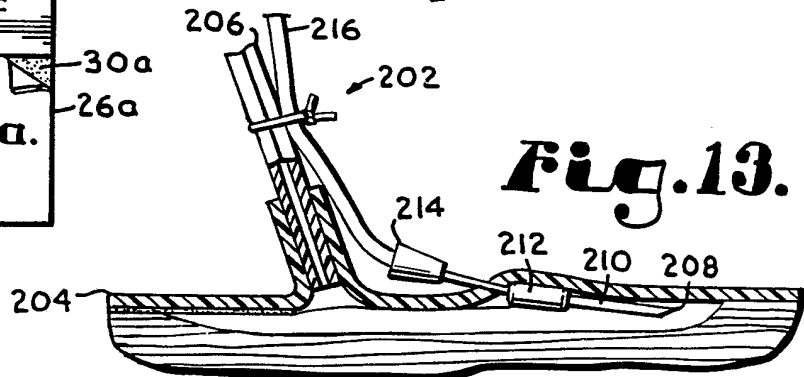


Fig. 13.



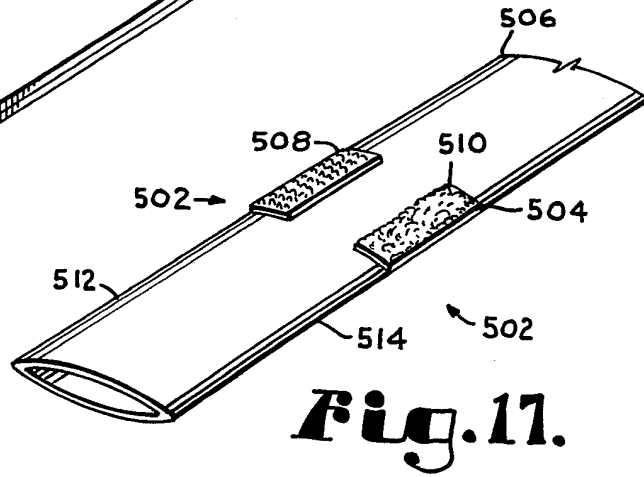
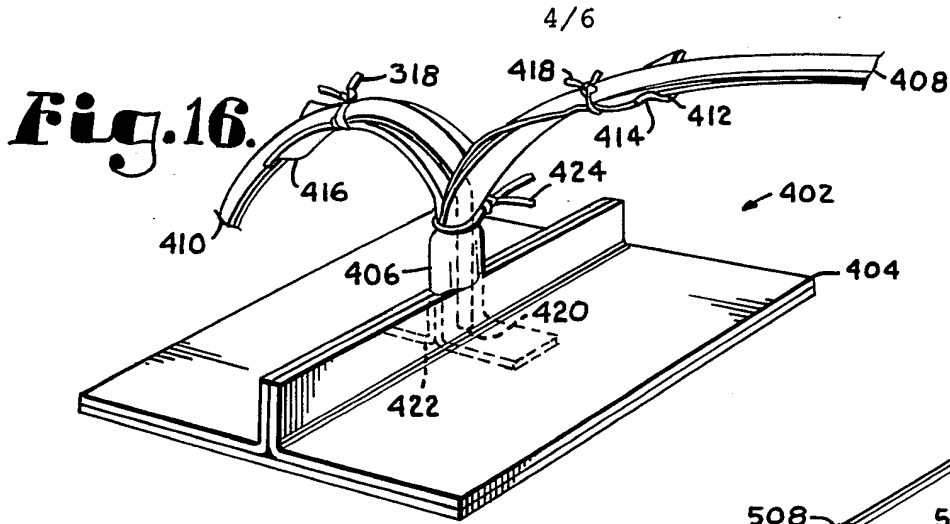


Fig. 14.

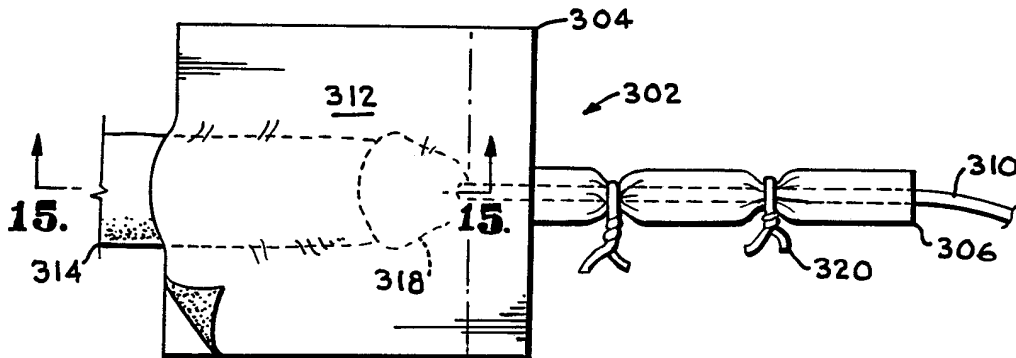
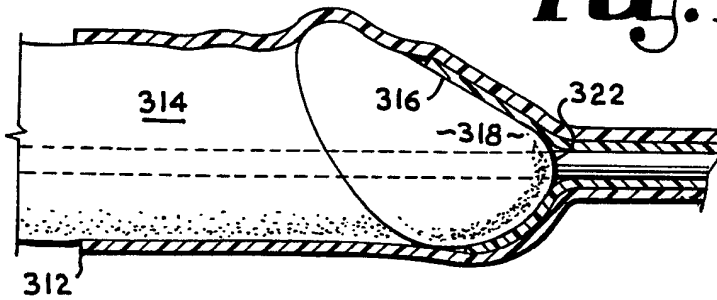
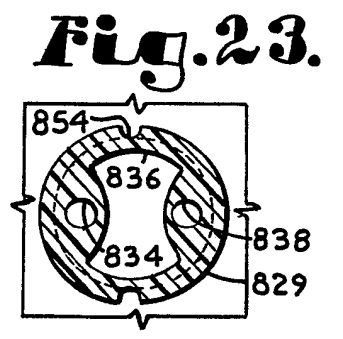
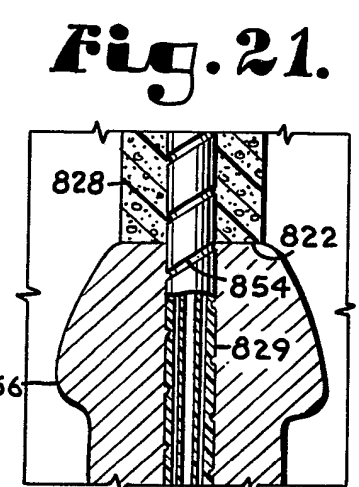
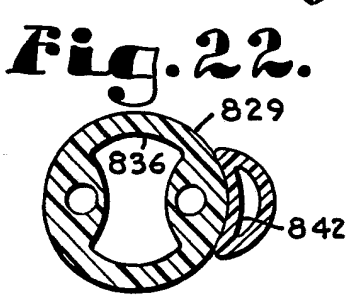
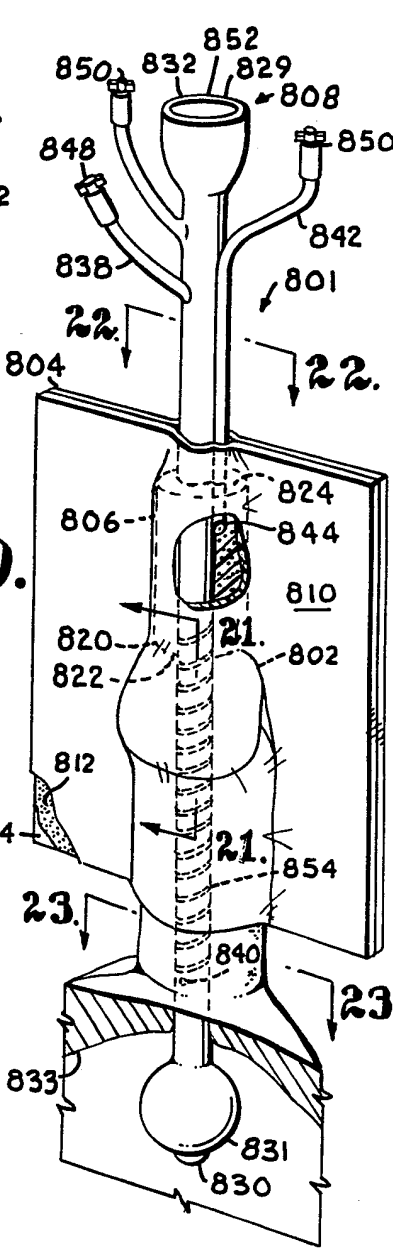
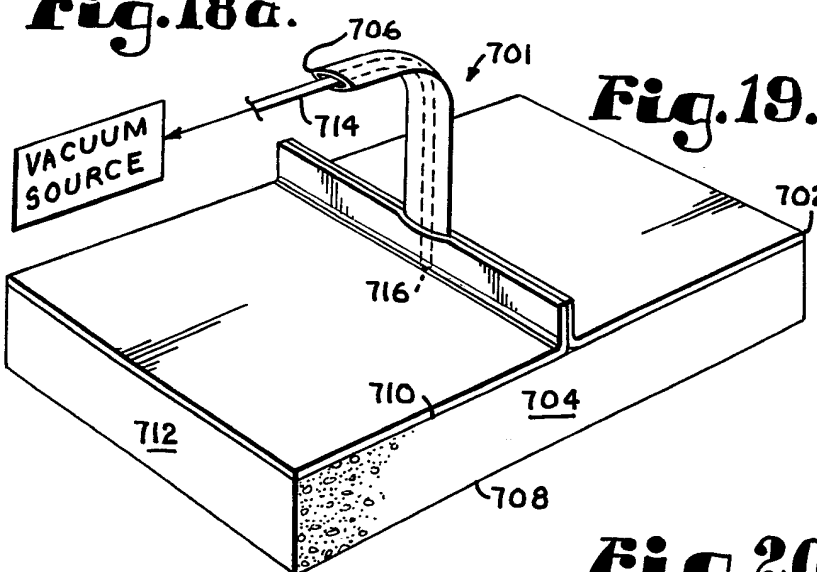
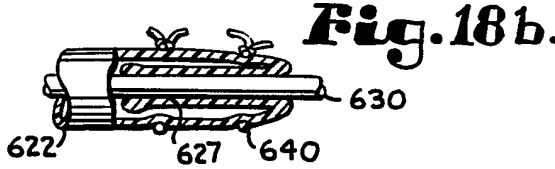
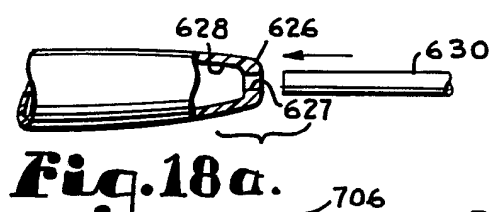
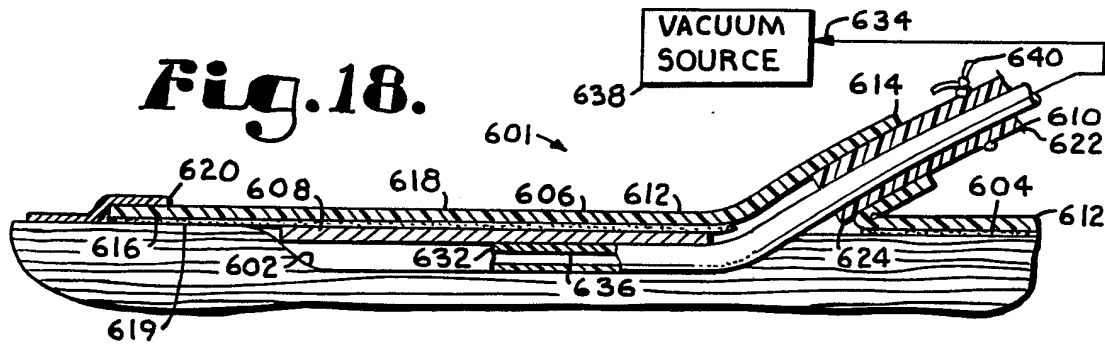


Fig. 15.





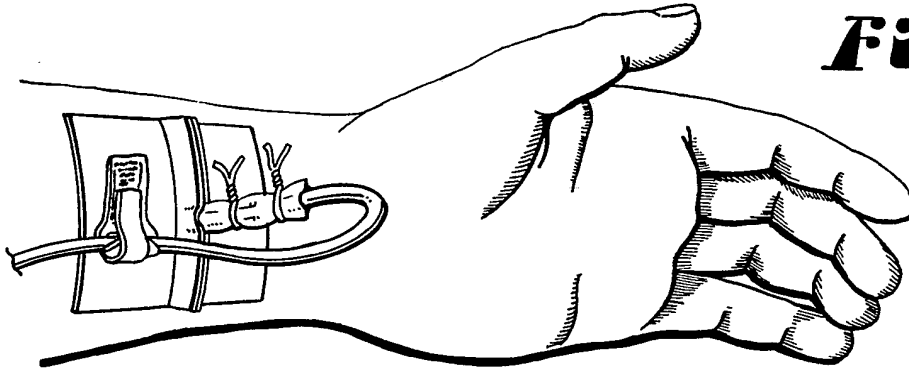


Fig. 24.

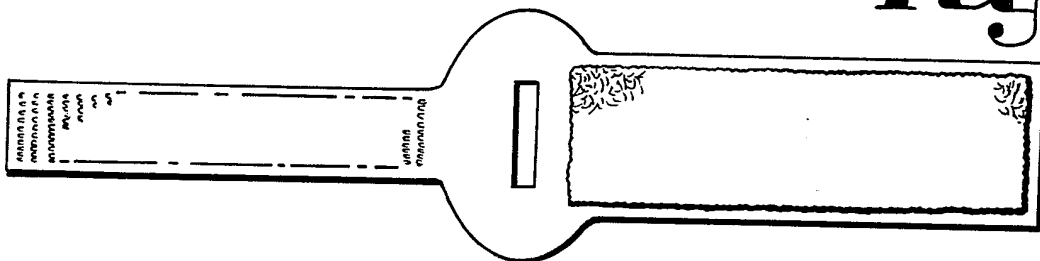


Fig. 25.

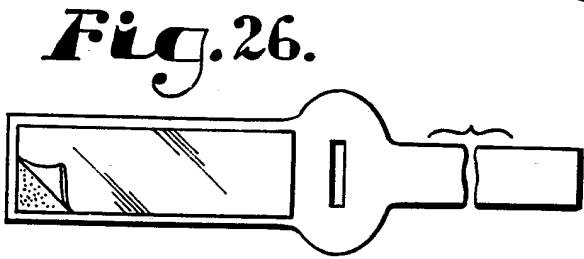


Fig. 26.

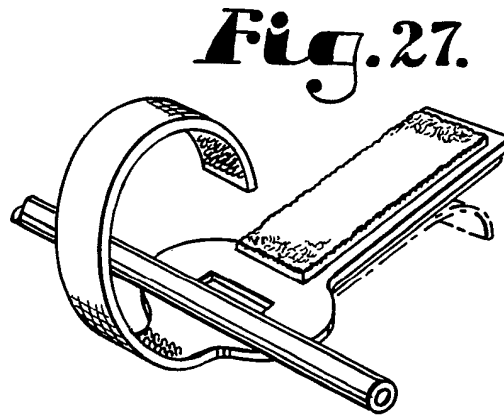


Fig. 27.



Fig. 29.

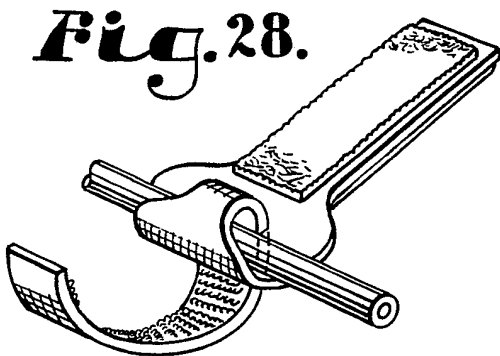


Fig. 28.

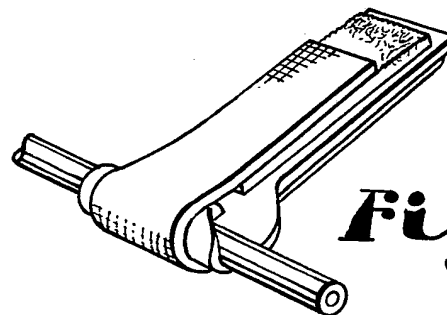


Fig. 30.